

FACADES

TENTAL 50

THE CIRCULAR FACADE



The TENTAL curtain wall was created with a view to offering architects and consultants an extensive range of solutions, giving them as much creative freedom as possible when designing a facade.

AESTHETICS AND MODULARITY

- Multiple exterior aspects:
 - Feature cap aspect
 - Horizontal line aspect
 - Vertical line aspect
 - Flat cap aspect
 - Structural silicone glazed aspect
 - Bead glazed aspect
- Collection of caps that mark the identity of each facade
- A full pallet of exclusive colours
- Facet solution up to +/- 10°
- 90° corner post
- Concealed drainage with a central seal for panel drainage (available in 2022)

LARGE DIMENSIONS

- Large infills up to 6 m²
- Maximum infill weight: up to 500 kg according to EN 13830
- Maximum glazing thickness 62 mm

INSTALLATION AND ASSEMBLY

- 3 glazing installation techniques:
 - Continuous pressure plate
 - Punctual pressure plate
 - Structural glazing
- Patented dry connection method (available in 2022)

SUSTAINABLE CIRCULAR FACADE

- Designed for assembly and disassembly
- Components are made of 75% recycled and 95% recyclable material.
- Cradle to Cradle® under certification
- Available in Hydro CIRCAL®, aluminium made with a minimum of 75% recycled end-of-life aluminium. This aluminium has one of the lowest CO₂ footprints worldwide: 2.3 kg of CO₂/kg aluminium.
- Dynamic EPD available on TechDesign



Performances: according to EN standards

Air permeability: 1500 Pa

Water tightness: up to RE 1500 Pa

Wind pressure resistance:

- Service pressure up to 2000 Pa

- Security pressure up to 3000 Pa

Burglary resistance: RC1N, RC2N, RC2, RC3

Impact resistance: I5/E5

Thermal performance:

- U_f up to 0.53 W/m²K

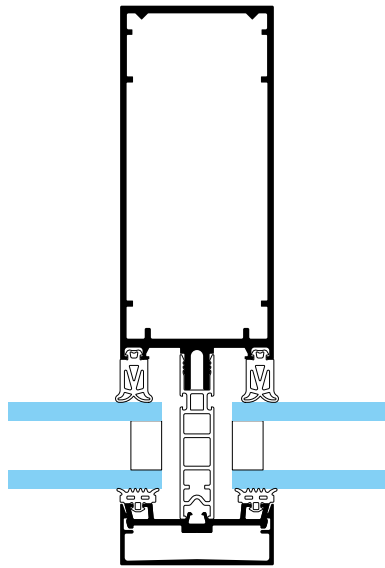
- U_{cw} up to 1.4 W/m²K (with U_g = 1.1 W/m²K)

Acoustic performance: R_w [C;C_{tr}] = 43 [-1 ; -3] dB

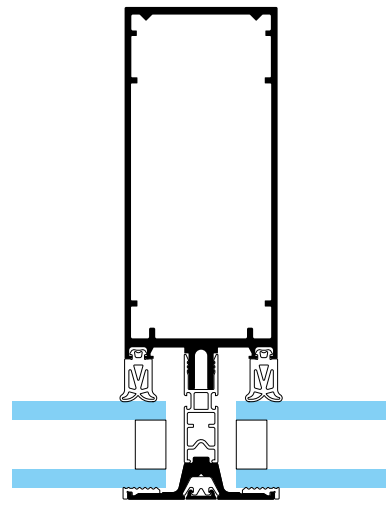
sapa:

By  Hydro

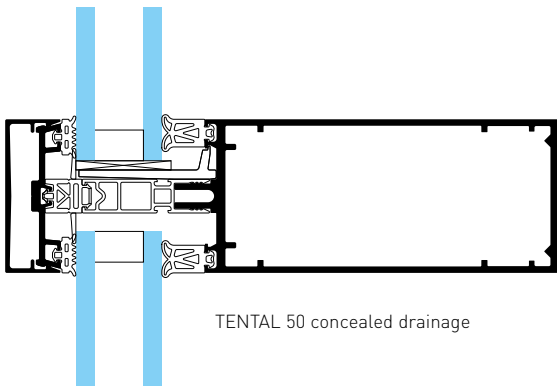
APPLICATIONS



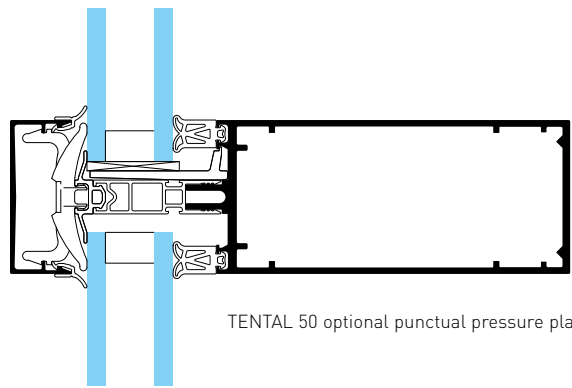
TENTAL 50 Feature Caps



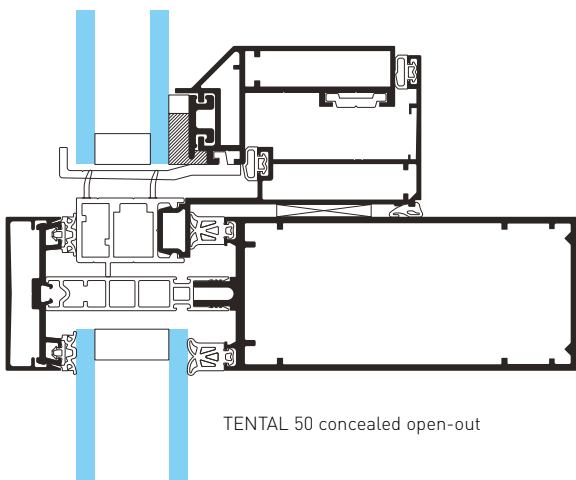
TENTAL 50 Flat Caps



TENTAL 50 concealed drainage



TENTAL 50 optional punctual pressure plate



TENTAL 50 concealed open-out

XXXXXXX - December 2021 - Document non contractuel

Local entity
 Address
 Country
 Tel. +XX XXXX XX XX XX
www.sapabuildingsystem.com



By  Hydro