



DOOR

SAPA 2060 E30

SOLID DOOR FOR INTERIOR FIRE SOLUTIONS

SAPA Door 2060 E30 is our most solid door best suited for buildings with high passenger traffic such as arenas, schools, shopping malls, stations etc. It is a stable door leaf construction with extra wall thickness in the outer aluminium walls and reinforced interchangeable stops.

Performance

- SAPA 2060 E30 – system for doors in heavily loaded interior passes.
- Glass- and filling thickness 6–34 mm.
- Outer glazing bead is integrated in the profile for asymmetrically placed glass.
- Door leaf profiles are available for narrow and modular locks.
- Reinforced wall thickness in outer flange against glass.
- Back edge with rubber strip profile.
- The doors can easily be connected to fixed fire-rated sections in 50 mm and 60 mm profile depths.
- Could be combined with door closers or door automatics.

Safety

- Fire Class E30 and EI30* according to typical Swedish approval 1199/94. P-marking certificate 144502.
- Fire class F30 and A30* acc. NS 3919 approved in certificate for P-marking, 144502.

Design

- Single, double or meeting door with or without side and toplight.
- Stepped solution in the door leaf profile that provides a framing effect (picture frame).
- Thresholds are available in different designs, the doors can also be mounted without a threshold with a 10 mm gap at the bottom.
- Profile depth 60 mm for door leaf and 50 mm for door frame.
- Glazing bead height 22 mm.
- Bar width 74–172 mm.

Made with renewable energy

- SAPA Door 2060 E30 is made from Hydro REDUXA. Aluminium made with renewable energy from water, wind and solar. Hydro REDUXA has a maximum carbon footprint of 4.0 kg CO₂ per kg aluminium produced. Less than a fourth of the global average.

*) Approved under special circumstances

Approval certificate: SITAC 1199/94. P-marking 144502
 Max. dimensions (W x H, mm): E30/F30; 1295 x 2140 (single door), 2100 x 2140 (double door)
 EI30/A30; 1285 x 2240 (single door), 2100 x 2240 (double door)

Approved fire-resistant glass: E30/F30; Pyrodur 30–10 etc., Pyrobelite 7 and 9 etc., Contraflam Lite 30, Pyran EI30/A30; Contraflam 30, Pyrostop 30–10 etc., Pyrodur 30–200 etc., Pyroble 16 etc., Swissflam 30 etc.

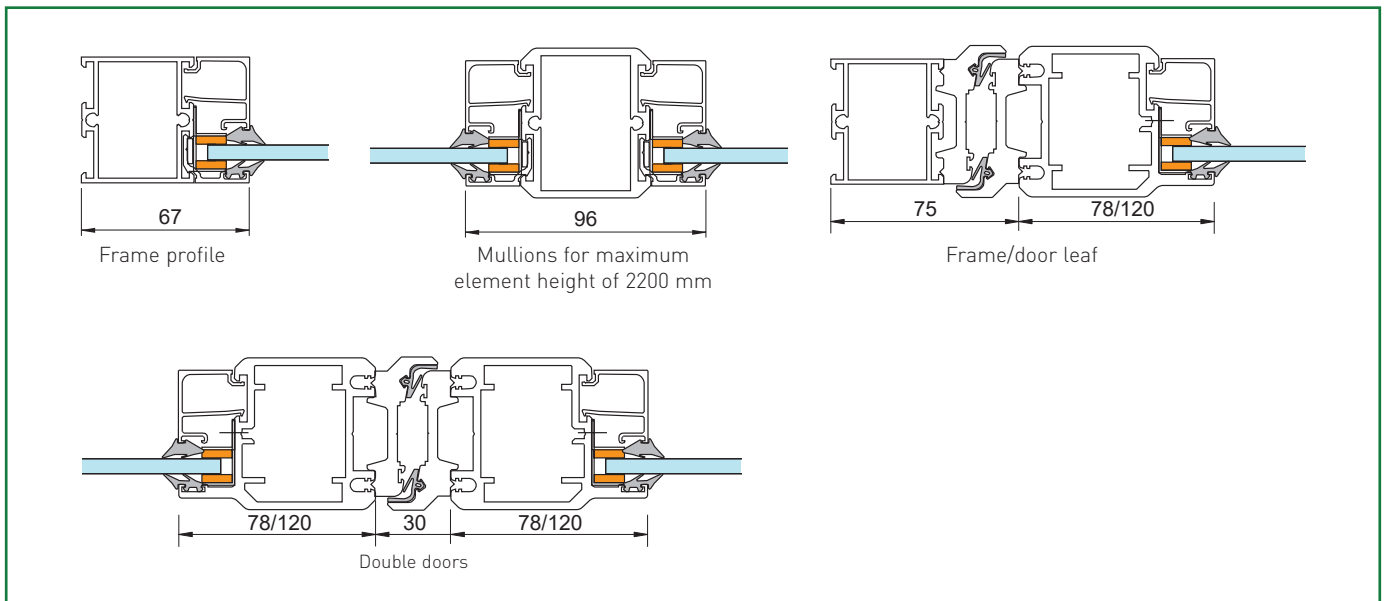
Approved infill panels: Boards of gypsum, stone wool, Ceminwood, Minerit and Vermiculux with cover of aluminium or steel plates.



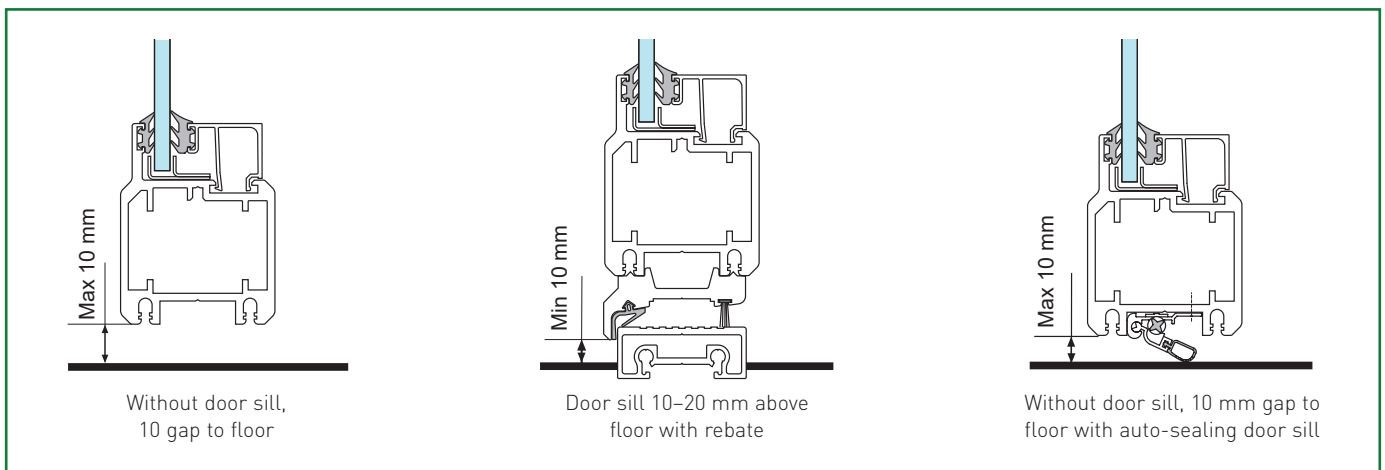
By  Hydro

Applications

Design details for fire-resistant elements 2060 E30



Examples of door sills for Door 2060 E30, interior



Hydro Building Systems Lithuania UAB
Kirtimų g. 47, Vilnius
LT-02244, Lithuania
www.sapabuildingsystem.com

sapa:

By  Hydro