

## FIRE PROTECTION

# SAPA 2086 EI/EI2 60

## INSULATED FIRE DOOR AND GLAZED PARTITIONS

SAPA 2086/3086 EI 60 is a solid Fire System suited for interior door partions and exterior/interior wall partitions.

SAPA 2086 EI2 60 is an excellent exterior fire rated door. A robust and well proven system with high performance.

### Performance

- Door leaf size max W x H: single door 1350 x 2930 mm/ double door 2613 x 2930 mm.  
EI 60: Size for glazed partitions (with/without doors)  $\infty$  x 3600 mm.
- Finger protected edges on hinge side.
- Glass and infills with the thicknesses of 22-49 mm
- Tested for repeated opening and closing (durability) to class C5 (at least 200 000 cycles).
- Can be combined with door closer/door automatics.
- Solution for panic exit door with rubber edge.
- Flushbolts as single, double or automatic.
- Standard hinge and barrel hinge available.
- Connection to our fire-rated glass wall 3086

### Safety and Thermal Performance

- Fire class EI/EI2 60.
- Can be combined with RC2/RC3.
- Door in plus version: air/water tightness class 2/4A.
- Fixed sections air/water tightness class 4/9A.

### Design

- Single/double door and glazed partitions.
- Profile depth 86 mm. Glazing bead height 22 mm.
- Frame width 67–128 mm / Bar width 89–150 mm.
- Outer glazing bead is integrated in the profile.
- Split mullions available.
- Reinforced profiles with up to 150 mm profile depth.
- Doorleaf width: 89-120 mm (narrow/modular profile).
- Design similar to standard 86-system.
- Glazed partitions with Butt joint-glass solution for several types of fire-rated glass.
- Standard thresholds as well as without threshold and options with automatic threshold.
- Protective plate at bottom of door leaf.
- Possibility to use variants of design glass and plates to infill panels.
- The fire-resistant glass can be combined with burglar- and sound rated glass
- Concealed cables inside profiles possible.

### Low carbon footprint

SAPA 2086 EI/EI2 60 is made from Hydro CIRCAL, recycled low carbon aluminium. That means it's high quality aluminium made with a minimum of 75% recycled end-of-life aluminium (post-consumer scrap). Hydro CIRCAL has a carbon footprint of 2.3 kg of CO<sub>2</sub>/kg of aluminium on average.

EI 60: Type approval (SC1457-16) alt. P-marking (14 45 02).

EI2 60: CE-marked acc. EN 16034 and EN 14351-1

Max dimensions (W x H, mm): Door leaf, single door: W 1350 x H 2930 mm, double door: W 2613 x H 2930 mm.

EI 60: Fixed sections W  $\infty$  x H 3600 mm

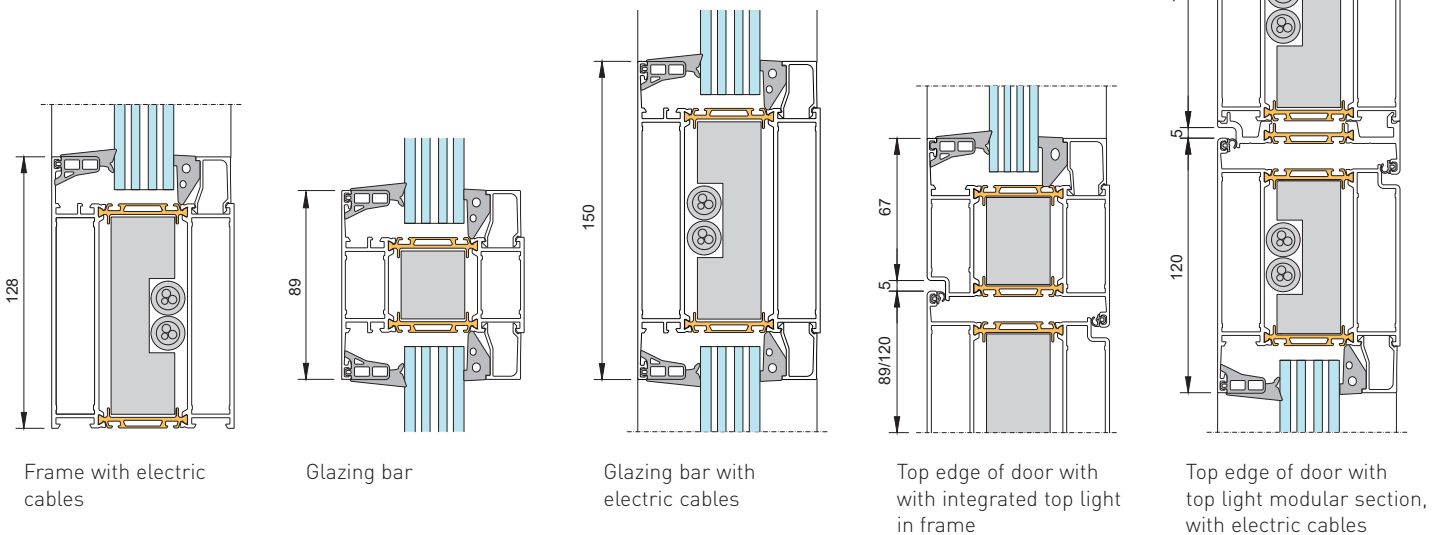
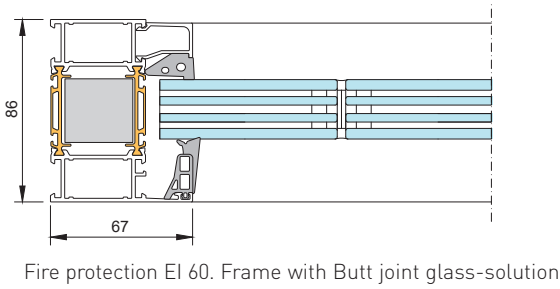
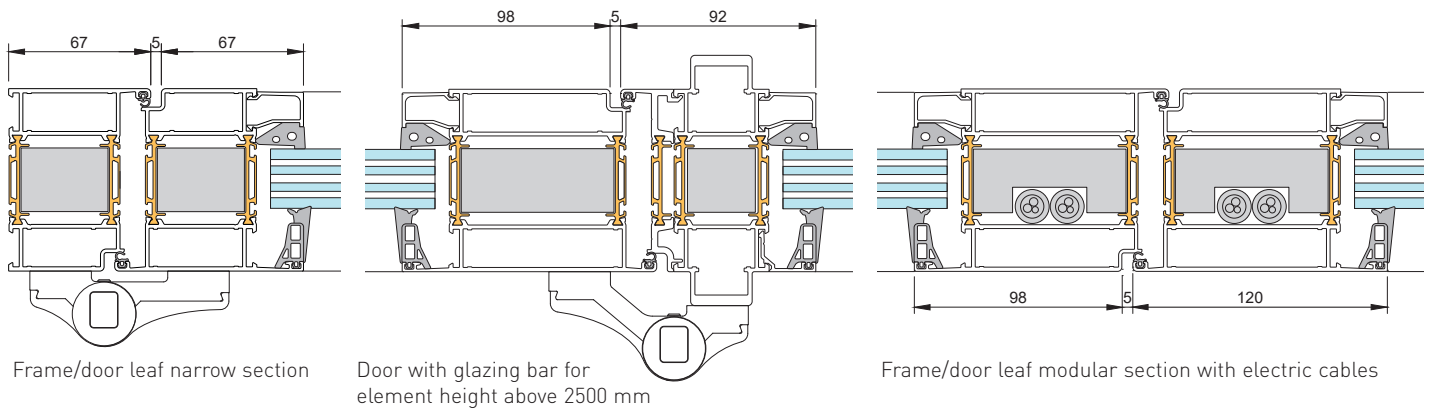
Approved fire-resistant glass, in SGU, DGU and TGU: Pyrostop 60, Contraflam 60, Pyrobel 25 and Polflam EI60

Approved infill panels: Plasterboard/Promatect covered with aluminium sheet or Rockwool board + plasterboard covered with aluminium sheet or Rockwool board + Glasroc H Storm covered with aluminium sheet.

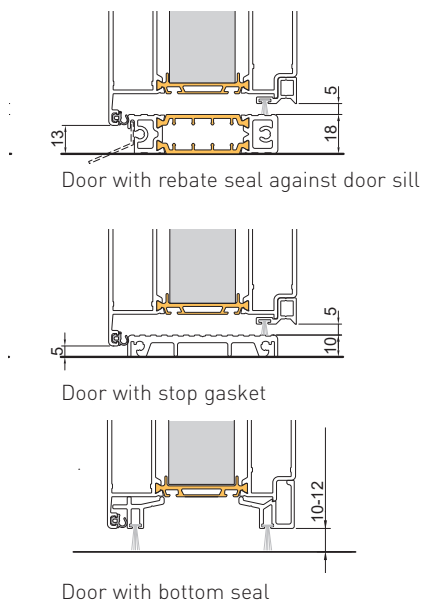


## Applications

Design details for fire-resistant elements 2086 EI/EI2 60.



Examples of door sills for Door 2086 EI/EI2 60.



Hydro Building Systems Lithuania UAB  
Kirtimų g. 47, Vilnius  
LT-02244, Lithuania  
[www.sapa.lt](http://www.sapa.lt)

**sapa:**

By  Hydro